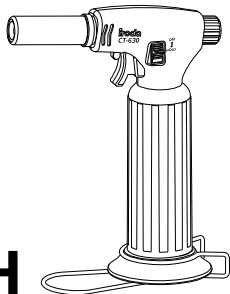


iroda



CT-630
HEAVY DUTY
BUTANE TORCH

Instruction Manual

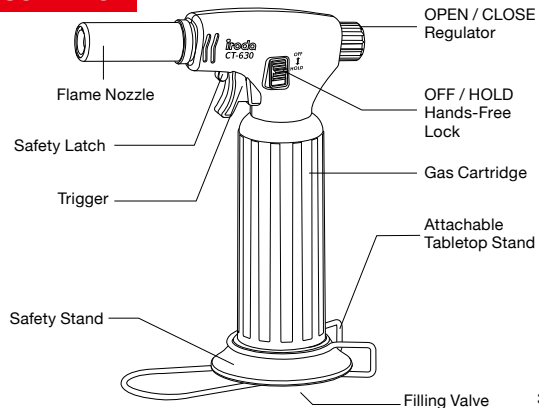
READ INSTRUCTIONS AND WARNINGS BEFORE USE

IMPORTANT SAFETY INSTRUCTIONS

Warnings:

- Read instructions before use.
- DO NOT refill, ignite, or use near open flame, heater, furnace, or combustible materials.
- KEEP AWAY FROM CHILDREN.
- Only use high-quality butane gas.
- Be aware that the **Flame Nozzle** of the torch can get extremely hot during use.
- Do not touch the nozzle during use, or before sufficient time has passed for cooling.
- Always be sure the unit is cool before storing.
- Store properly when not in use.
- Keep in a dry place, out of the reach of children.
- Do not use continuously for more than five (5) minutes.
- If your CT-630 malfunctions do not try to repair. Contact your dealer or online support for help.

DESCRIPTION



HOW TO USE THE CT-630

CONNECTING GAS CARTRIDGE TO TORCH

- Connect and disconnect the **Torch Head** to the **Gas Cartridge** while outdoors or in a well-ventilated area.
1. Ensure that the **OPEN/CLOSE Regulator** is turned off (turned fully clockwise).
 2. Place the torch head valve on top of the **Gas Cartridge** valve. (Fig. 1)
 3. Gently screw the **Gas Cartridge** into the **Torch Head**. Be careful not to cross-thread the Torch to the Cartridge.

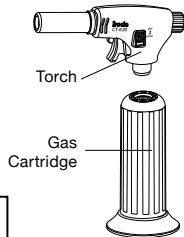


Fig.1

CAUTION: Screw on hand tight only. Do not over tighten or you will damage the torch seals and gas cartridge seals.

REFILLING

- Use only high-quality butane gas.
 - Refill in a well-ventilated area away from any ignition source and other people.
1. Hold butane canister upside down when filling (Fig. 2)
 2. Firmly press nozzle of butane fuel into the **Filling Valve**.
 3. Stop filling when gas overflows. (Gas overflow during refilling is normal and does not indicate a leak.)
 4. Wait for a few minutes before use for gas to stabilize.

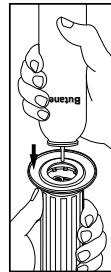


Fig.2

IGNITION

(Fig. 3)

1. Turn the **OPEN/CLOSE Regulator** counterclockwise approx. 1/2 turn to start the gas flow.
2. Press the **Safety Latch** and **Trigger** together to ignite the torch.
3. For continuous flame, slide the **Hands-Free Lock** to the HOLD position. Then release the **Safety Latch** and **Trigger**.
4. To extinguish the flame, slide the **Hands-Free Lock** to **OFF** position and turn the **Control Regulator** clockwise to the closed position to turn off the gas.

- **You can use the Attachable Tabletop Stand for better stability and multiple angles use during operation. (Fig. 4)**

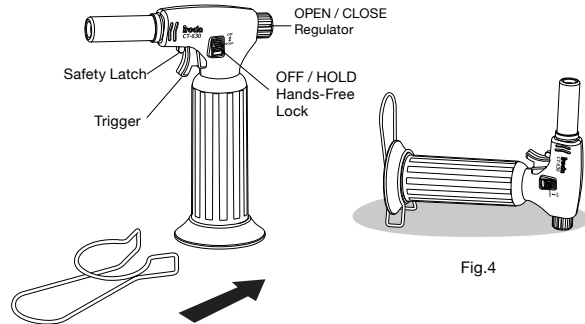


Fig.3

Fig.4

TROUBLE SHOOTING

- To reduce the risk of personal injury, property damage, or damage to your **CT-630**, do not attempt to repair the unit body.

| PROBLEM | PROBABLE CAUSE | HOW TO CORRECT |
|-----------------------------------|-----------------------------------|---|
| Cannot Press down on the ignition | Safety latch not fully disengaged | Slide the Hands-Free Lock to OFF position |
| Does not Ignite/no flame | Empty Gas cartridge | Refill with butane fuel |

SPECIAL WARNING

- This product, when used for soldering and similar applications, produces chemicals known to the State of California to cause cancer and birth defects or other reproductive harm.
- Department of Transportation Hazardous Materials Regulations forbid the carriage of butane or other flammable gas products on passenger aircraft. Do not pack this item or any other flammable gas item, in any checked or carry-on baggage.

SPECIFICATIONS

| | | |
|----------------|-----------------------------|---------------------|
| Dimensions | Length | 167 mm (6.6 inches) |
| | Height | 218 mm (8.6 inches) |
| | Grip Diameter | 50 mm (2 inches) |
| | Base Diameter | 80 mm (3.1 inches) |
| Weight | Empty Fuel Tank | 345 g (12.2 oz) |
| Fuel | Butane | |
| Operating Time | Mid Setting | 50 min. |
| Flame Temp | ≈2400°F (1300°C) Blue Flame | |
| Flame Length | Mid Setting | 4 cm (1.6 inches) |



This appliance may be filled with any cartridges marked "Butane" complying with EN 417.

Warning:

- Use outdoors only or use in well ventilated areas.
- Read the instructions before using the appliance.

CAUTION:

- Accessible parts may be very hot. Keep young children away from the appliance.



The logo for 'iroda' features the word in a bold, lowercase, sans-serif font. A small red circle is positioned above the letter 'i', serving as a dot. The overall design is clean and modern.

iroda

www.pro-iroda.com