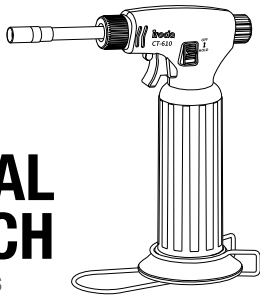


**iroda**



# **CT-610KB PROFESSIONAL BUTANE TORCH**

With 3 Interchangeable Nozzles

## **Instruction Manual**

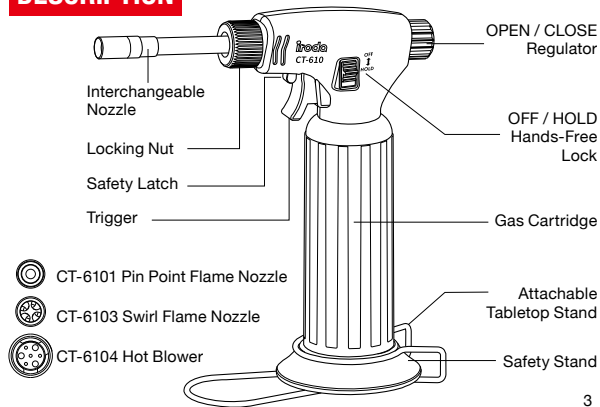
READ INSTRUCTIONS AND WARNINGS BEFORE USE

## IMPORTANT SAFETY INSTRUCTIONS

### Warnings:

- Read instructions before use.
- DO NOT refill, ignite, or use near open flame, heater, furnace, or combustible materials.
- KEEP AWAY FROM CHILDREN.
- Only use high-quality butane gas.
- Be aware that the **Flame Nozzle** of the torch can get extremely hot during use.
- Do not touch the nozzle during use, or before sufficient time has passed for cooling.
- Always be sure the unit is cool before storing.
- Store properly when not in use.
- Keep in a dry place, out of the reach of children.
- DO NOT expose to heat above 120°F (50°C) and avoid prolonged exposure to the sun.
- If your CT-610 malfunctions do not try to repair. Contact your dealer or online support for help.

## DESCRIPTION

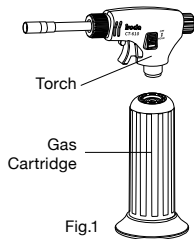


## HOW TO USE THE CT-610

### CONNECTING GAS CARTRIDGE TO TORCH

- Connect and disconnect the **Torch Head** to the **Gas Cartridge** while outdoors or in a well-ventilated area.

1. Ensure that the **OPEN/CLOSE Regulator** is turned off (turned fully clockwise).
2. Place the torch head valve on top of the **Gas Cartridge** valve. (Fig. 1)
3. Gently screw the **Gas Cartridge** into the **Torch Head**. Be careful not to cross-thread the Torch to the Cartridge.



- **CAUTION: Screw on hand tight only. Do not over tighten or you will damage the torch seals and gas cartridge seals.**

### REFILLING

- Use only high-quality butane gas.
- Refill in a well-ventilated area away from any ignition source and other people.

1. Hold butane canister upside down when filling (Fig. 2)
2. Firmly press nozzle of butane fuel into the **Filling Valve**.
3. Stop filling when gas overflows. (Gas overflow during refilling is normal and does not indicate a leak.)
4. Wait for a few minutes before use for gas to stabilize.



Fig.2

## IGNITION

(Fig. 3)

1. Turn the **OPEN/CLOSE Regulator** counterclockwise approx. 1/2 turn to start the gas flow.
2. Press the **Safety Latch** and **Trigger** together to ignite the torch.
3. For continuous flame, slide the **Hands-free Lock** to the HOLD position. Then release the **Safety Latch** and **Trigger**.
4. To extinguish the flame, slide the **Hand-frees Lock** to **OFF** position and turn the **Control Regulator** clockwise to the closed position to turn off the gas.

- **You can use the Attachable Tabletop Stand for better stability and multiple angles use during operation. (Fig. 4)**

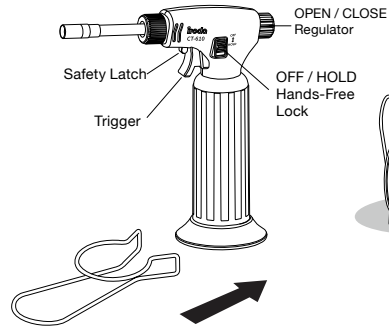


Fig.3

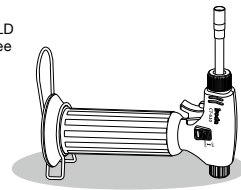
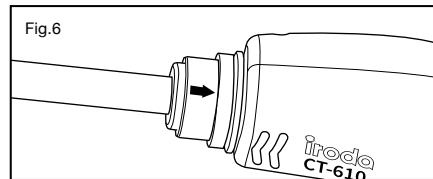
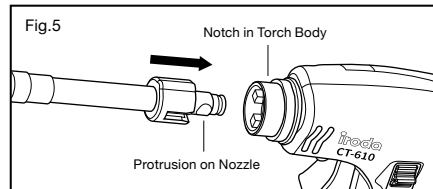


Fig.4

## HOW TO CHANGE NOZZLE

1. Be sure the nozzle is cool before removal.
2. Turn the **Locking Nut** counterclockwise to unscrew and remove the **Interchangeable Nozzle**.
3. Install the desired nozzle into the body by aligning the **Protrusion** on the **Nozzle** with the **Notch** in the **Torch Body** (Fig. 5)
4. Carefully push the nozzle into the body (Fig. 6).
5. Gently screw the **Locking Nut** on the threads. Be careful not to overtighten as it could damage the nozzle assembly and threads in the body.



## TROUBLE SHOOTING

- To reduce the risk of personal injury, property damage, or damage to your **CT-610**, do not attempt to repair the unit body.

PROBLEM	PROBABLE CAUSE	HOW TO CORRECT
Cannot Press down on the ignition	Safety latch not fully disengaged	Slide the Hands-Free Lock to OFF position
Does not Ignite/no flame	Empty Gas cartridge	Refill with butane fuel

## SPECIAL WARNING

- This product, when used for soldering and similar applications, produces chemicals known to the State of California to cause cancer and birth defects or other reproductive harm.
- Department of Transportation Hazardous Materials Regulations forbid the carriage of butane or other flammable gas products on passenger aircraft. Do not pack this item or any other flammable gas item, in any checked or carry-on baggage.

## SPECIFICATIONS

Dimensions	Length	198 mm (7.8 inches)
	Height	218 mm (8.6 inches)
	Grip Diameter	50 mm (2 inches)
	Base Diameter	80 mm (3.1 inches)
Weight	Empty Fuel Tank	325 g (11.5 oz)
Fuel	Butane	
Operating Time	Mid Setting	50 min.
Flame Temp	≈2400°F (1300°C) Blue Flame	
Flame Length	Mid Setting	2.5 cm (1 inch)



This appliance may be filled with any cartridges marked  
“Butane” complying with EN 417.

**Warning:**

- Use outdoors only or use in well ventilated areas.
- Read the instructions before using the appliance.

**CAUTION:**

- Accessible parts may be very hot. Keep young children  
away from the appliance.

**iroda**

[www.pro-iroda.com](http://www.pro-iroda.com)