

# PT-660A PRO-TORCH™

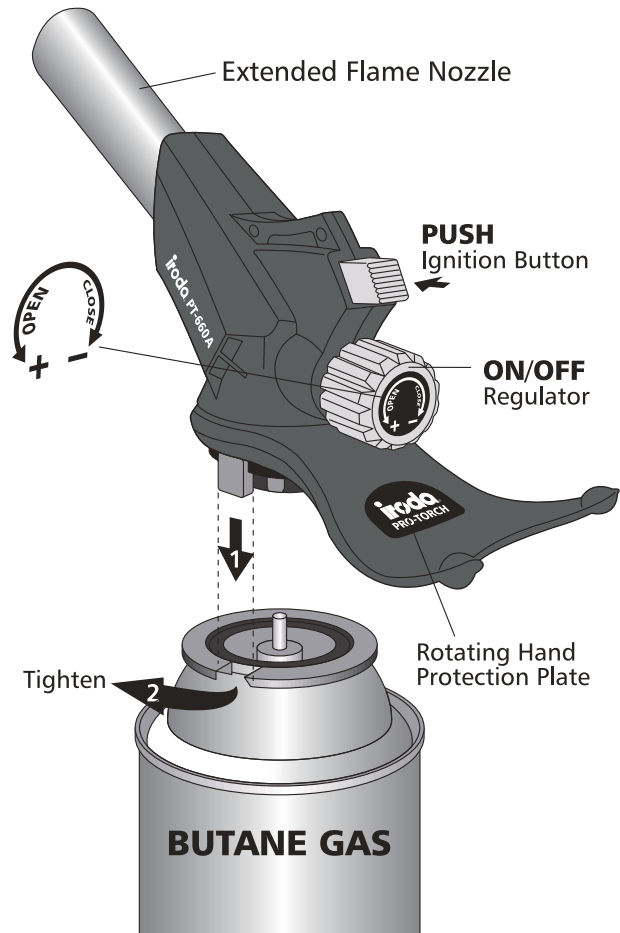
Automatic Ignition Butane Powered Pro-Torch

## APPLICATIONS :

- Brazing
- Soldering
- Camping
- Culinary Torch
- Plumbing
- BBQ Grill Charcoal Starter
- Tool and Die Shops
- Weed Killing
- Automotive and Truck Repairs
- Industrial Maintenance

## FEATURES:

- Powerful Wind-Resistant Flame.
- Patented rotating hand protection plate makes using at most any angle.
- High output flame for heavy jobs ideally for use in home, plumbing and workshop.
- Preheating System allows to be used safely at any angle.
- Anti-flare when using in any direction.
- Extended flame nozzle with larger flame length.



## PT-600A Instructions

- Connect PT-660A to Butane Canister by pushing down and turning clockwise (right) until it stops.  
Be sure to align butane output valve with torch input valve.
- To ignite, turn regulator knob counterclockwise (left) approximately 1/4 turn to start the gas flow and then push Ignition Button.  
You may have to push Ignition Button more than once depending on conditions.
- Rotate Regulator Knob to the LEFT for higher flame or to the RIGHT for lower flame
- After 15 seconds of preheating, the torch may be rotated to any angles.
- When replacing or disconnecting the butane canister, make sure that the Regulator Knob is tight in the OFF (right) position to avoid leaking.
- Disconnect torch from cylinder when not in use.
- If using the torch upside down, the flame may continue to burn for 10 seconds after turning off gas.

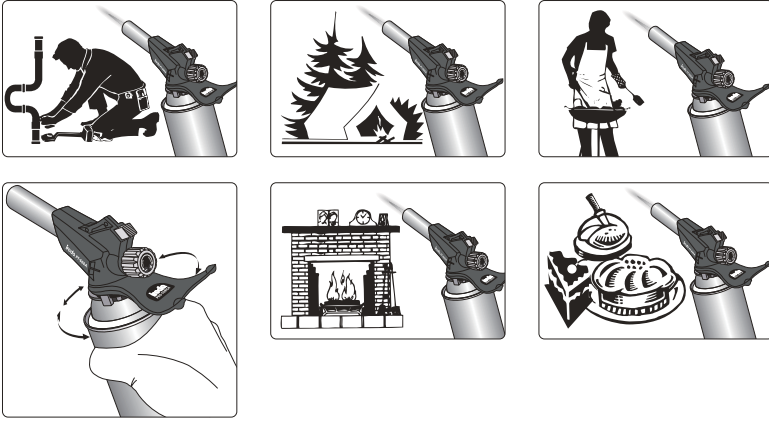
The Heavy Duty PT-660A provides the most powerful and stable butane flame available for demanding jobs where the highest BTU output is required.

Its precision orifice and controls offer the best there is in a high output butane tool.

The swirling hand protection plate makes using the PT-660A comfortable and safe at most any angle.

PT-660A was designed with features to withstand the rigors of daily professional use.

**PT-660A is designed to adapt Iwatani  
Gas valve type canister.**



**WARNING :**

- Only use the torch in a well-ventilated area.
- Carefully follow the instructions and warnings and familiarize yourself with the torch before use. Failure to follow these instructions could cause property damage, personal injury or death.
- Be aware that the tip of the torch can get extremely hot during or after use. Keep the torch away from children. Do not touch the torch nozzle after use.
- Never connect to a fuel cylinder near any flammable materials, chemicals, liquids or gases.
- Always point the torch flame away from the flammable objects or materials such as walls, ceilings...etc.) Be especially careful around any gasoline and fuel products.
- Never storage the value body with the combustible material.

This product, when used for soldering and similar applications, produces chemicals known to the State of California to cause cancer and birth defects or other reproductive harm.

Department of Transportation Hazardous Materials Regulations forbid the carriage of butane or other flammable gas products on passenger aircraft.

Do not pack flammable gas canisters in any packed or carry-on baggage